

# CZ-BLJC



**C**

## 描述 Descriptions

三防集电集控消防应急标志灯壳体采用纳米金属板制成，其稳定性强度高，防护等级IP41。灯具面板设有工作状态指示灯，方便现场查询，灯具内置 LED光源，通信芯片和传感器，可实现自行调整及点对点控制功能。灯内不带蓄电池，方便后期维护更换。二总线无极性连接，提高安装效率及维护的便利性。

- 安装方式为壁式
- DC 36V 安全电压供电，安全可靠；
- 无极性连接方式，降低现场误接率，提高现场安装及维护的便利性；
- 采用高亮度LED光源，低功耗、长寿命，节能环保；
- 有5种标识牌图案供选择，可按用户要求定制；
- 消防认证。

The enclosures of this light is made of nano metal plate, with high stability and strength, and IP41 degree of protection. The panel is equipped with working status indicator light for convenient check on site. It is built with LED light source, communication chip and sensor, which can realize self-adjustment and point-to-point control function. There is no battery in this light to facilitate future maintenance and replacement. For two line bus and non-polarity connection, it improves the installation efficiency and maintenance convenience.

- Wall type mounting.
- Safe and reliable voltage DC 36V as power supply.
- Nonpolarity connection way to reduce misconnection times, and improve the convenience of installation and maintainance on site.
- High brightness LED source. Low power loss, long life, energy-saving and environment-friendly.
- Five mark codes for option, others on request.
- Certification for fire products.

## IP41

### 主要数据 Main technical data

认证 Certification	认证标志 Ex mark	符合标准 Meet the standard
China:	CCC	GB17945

适用范围：用于非防爆区域

使用环境温度：-20°C≤Ta≤+40°C

光源：LED

防护等级：IP41

额定电压：DC 36V

正常照明功率：0.4W

应急照明时间：≥90min

应急照明功率：0.4W

标志灯表面亮度：50cd/m<sup>2</sup>-300cd/m<sup>2</sup>

照明灯光通量：≥50lm

安装方式：壁挂式

Intended use: For safe areas

Ambient temperature: -20°C≤Ta≤+40°C

Light source: LED

Protection grade: IP41

Rated voltage: DC 36V

Normal lighting power: 0.4W

Emergency lighting time: ≥ 90min

Emergency lighting power: 0.4W

Surface brightness of marking light: 50CD/m<sup>2</sup> - 300cd/m<sup>2</sup>

Luminous flux: ≥ 50lm

Installation method: Wall type



### 订购规格 Order specifications

图样 Illustration	应急型式 Type of emergency	功率 Power	表面亮度/通光量 Surface brightness / Luminous flux	工作电压 Voltage	输出电流 Output current	重量(kg) Weight	订购号 Order No.
	持续式 Maintained	0.4W	50cd/m <sup>2</sup> -300cd/m <sup>2</sup>	DC36V	< 0.1A	1.0	<b>CZ-BLJC-II1LROE0.4W-M01</b>
	持续式 Maintained	0.4W	50cd/m <sup>2</sup> -300cd/m <sup>2</sup>	DC36V	< 0.1A	1.0	<b>CZ-BLJC-II10E0.4W-M</b>

#### 标志牌编码 Mark code



编码 Code: A1



编码 Code: A2



编码 Code: A3



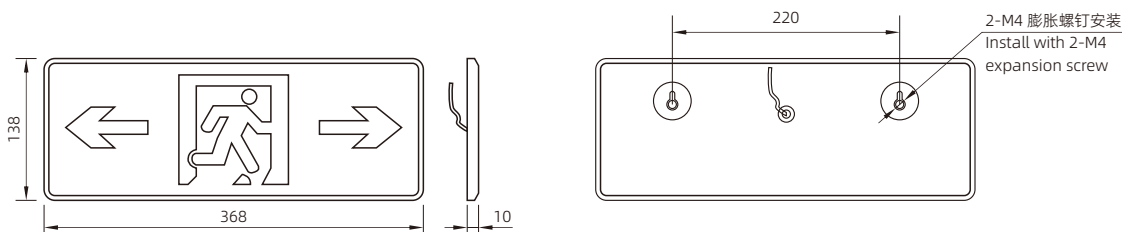
编码 Code: A4



编码 Code: A5

### 外形尺寸 Outline dimensions

单位 Unit: mm



## CZ-ZFJC

**C**

### 描述 Descriptions

三防集电集控消防应急照明灯壳体分别采用聚碳酸酯和铸铝制成，其稳定性强度高。灯具面板设有工作状态指示灯，方便现场查询，灯具内置 LED光源，通信芯片和传感器，可实现自行调整及点对点控制功能。灯内不带蓄电池，方便后期维护更换。二总线无极性连接，提高安装效率及维护的便利性。

- DC 36V 安全电压供电，安全可靠；
- 无极性连接方式，降低现场误接率，提高现场安装及维护的便利性；
- 采用高亮度LED光源，低功耗、长寿命，节能环保；
- 防护等级IP40（壁挂式）、IP33（吸顶式）
- 消防认证。

The body and cover of this light is made of polycarbonate and cast aluminum, with high stability and strength. The panel is equipped with working status indicator light for convenient check on site. It is built with LED light source, communication chip and sensor, which can realize self-adjustment and point-to-point control function. There is no battery in this light to facilitate future maintenance and replacement. For two line bus and non-polarity connection, it improves the installation efficiency and maintenance convenience.

- Safe and reliable voltage DC 36V as power supply.
- Nonpolarity connection way to reduce misconnection times, and improve the convenience of installation and maintainance on site.
- High brightness LED source. Low power loss, long life, energy-saving and environment-friendly.
- Degree of protection is IP40 (Wall type)  
IP33 (Ceiling type)
- Certification for fire products.

## IP40 / IP33

**主要数据 Main technical data**

认证 Certification	认证标志 Ex mark	符合标准 Meet the standard
China:	CCC	GB17945

适用范围：用于非防爆区域

使用环境温度：-20°C≤Ta≤+40°C

光源：LED

防护等级：IP40（壁挂式） / IP33（吸顶式）

额定电压：DC 36V

应急照明时间：≥90min

应急照明功率：3W ~ 18W

安装方式：壁挂式、吸顶式

Intended use: For safe areas

Ambient temperature: -20°C≤Ta≤+40°C

Light source: LED

Degree of protection: IP40 (Wall type) / IP33 (Ceiling type)



Rated voltage: DC 36V

Emergency lighting time: ≥ 90min

Emergency lighting power: 3W ~ 18W

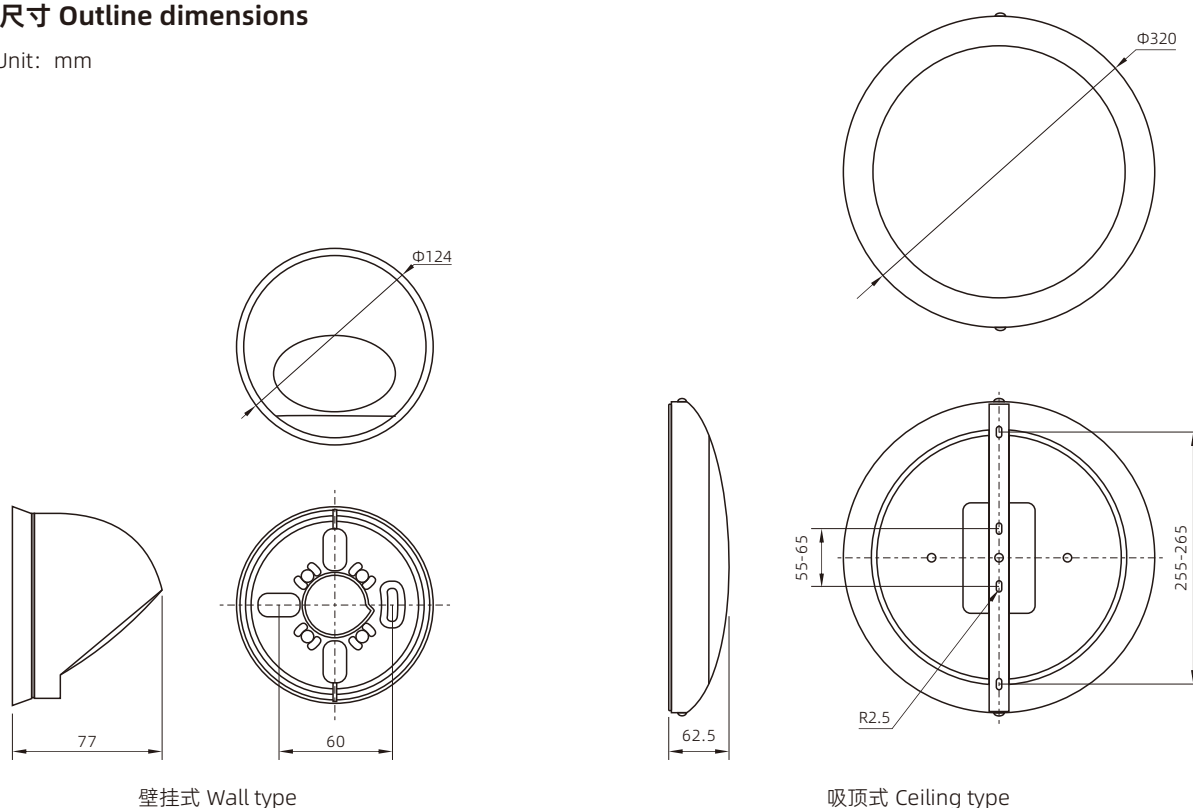
Installation method: Wall type, Ceiling type


**订购规格 Order specifications**

图样 Illustration	应急型式 Type of emergency	功率 Power	表面亮度/通光量 Surface brightness / Luminous flux	工作电压 Voltage	输出电流 Output current	重量(kg) Weight	订购号 Order No.
 壁挂式 Wall type	非持续式 Non Maintained	3W	≥340 lm	DC36V	< 0.1A	0.35	<b>CZ-ZFJC-E3W-M03</b>
	非持续式 Non Maintained	6W	≥610 lm	DC36V	< 0.1A	0.35	<b>CZ-ZFJC-E6W-M02</b>
	非持续式 Non Maintained	6W	≥620 lm	DC36V	< 0.1A	0.70	<b>CZ-ZFJC-E6W-M</b>
 吸顶式 Ceiling type	非持续式 Non Maintained	10W	≥1100 lm	DC36V	< 0.1A	0.70	<b>CZ-ZFJC-E10W-M</b>
	非持续式 Non Maintained	18W	≥1900 lm	DC36V	< 0.1A	0.70	<b>CZ-ZFJC-E18W-M</b>

**外形尺寸 Outline dimensions**

单位 Unit: mm



壁挂式 Wall type

吸顶式 Ceiling type



禁止吸烟





